

**Electrical Specifications:**

1. Inductance At 100 KHz, 100 mV 8mADC Bias: 350 uH Min.
2. Leakage Inductance 0.3 uH Max, @100KHz 100mV
3. Insertion Loss: 1.1 dB Max. @ 1-100 MHz
4. Return Loss: 18dB Min. @ 1-30MHz  
16dB Min. @ 30-60MHz  
12dB Min. @ 60-80MHz
5. Cross Talk: 1-100MHz 30dB Min.
6. Common Mode Rejection Ratio: 30dB Min. @1-100MHz
7. Isolation Voltage @60Hz:1500Vrms (Input To Output) 60 Seconds

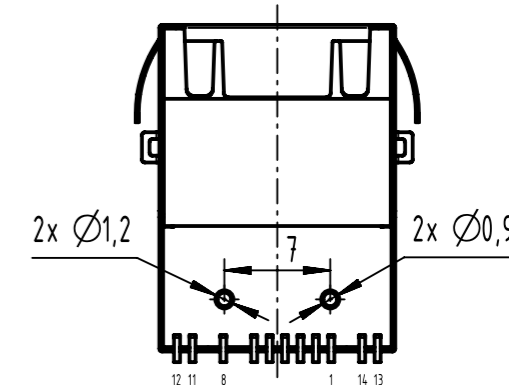
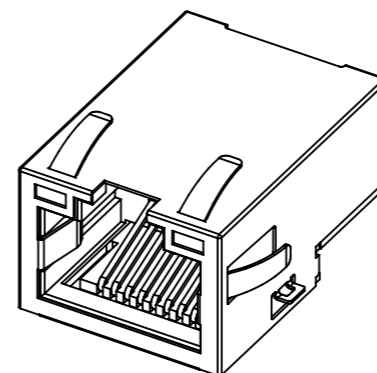
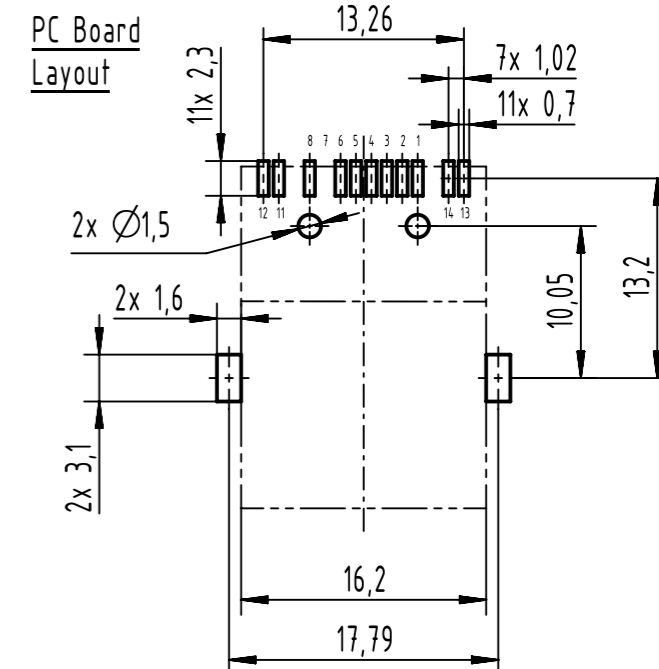
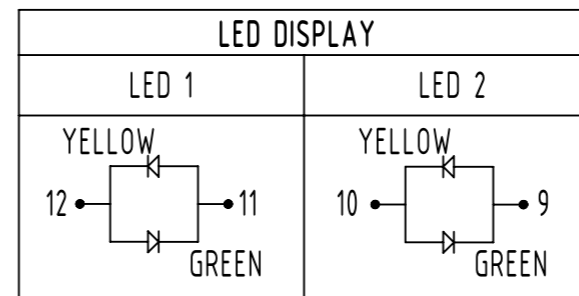
**Mechanical:**

1. Housing Material: POLYESTER or HIGH Temp. UL94V-0
2. Contact Material: Phosphor Bronze T=0.3mm
3. Plating: Gold Plating Over Nickel
4. Operating Life: 750 Cycles Min.
5. Shield Material: 0.20mm THICKNESS BRASS Plating Nickel

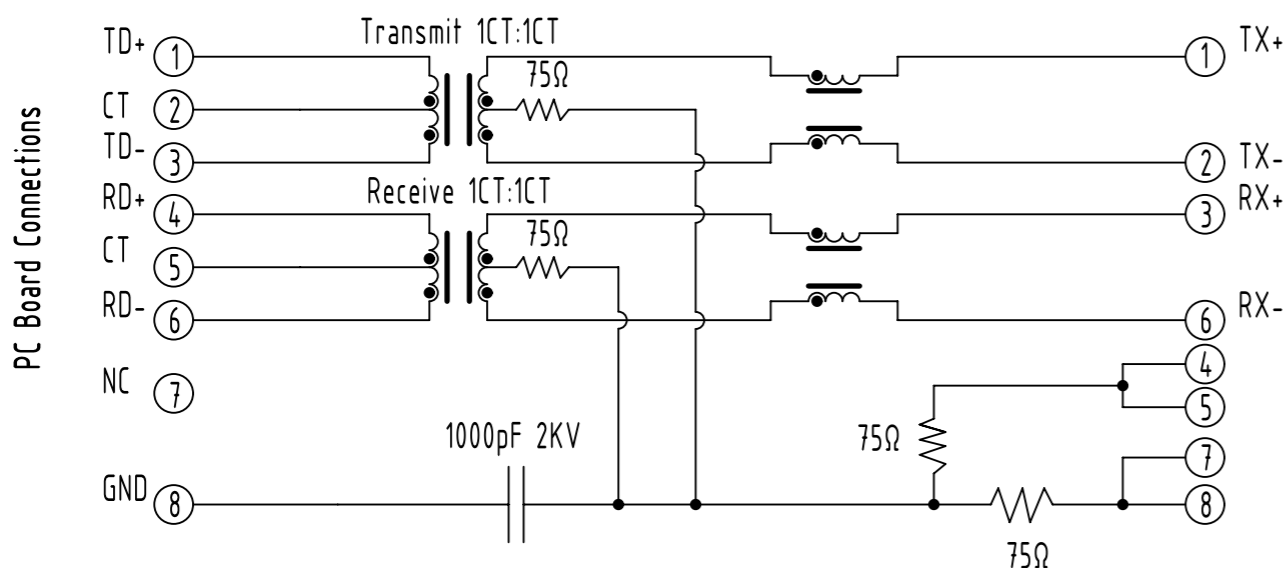
**Environmental:**

1. Storage: -40°C to +85°C
2. Operation: -40°C to +85°C

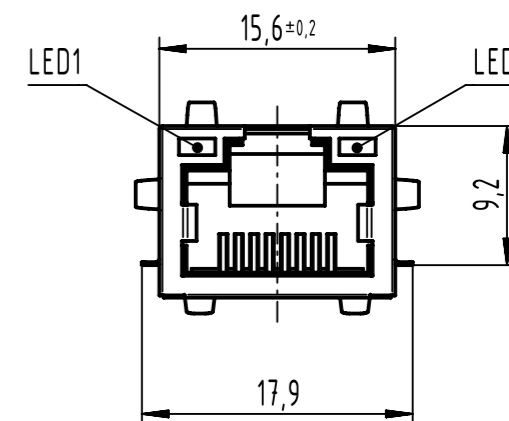
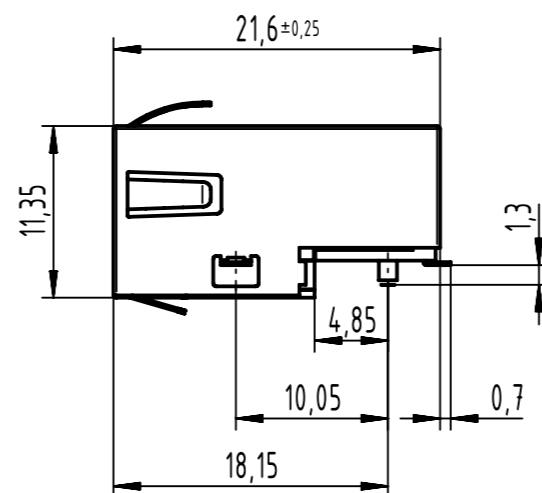
Mates With Modular Plug According To TIA-1096-A



**SCHEMATIC**



RJ45 Connector



	All rights reserved		Created by PREOTU		Inspected by PRIESTER		Standardisation 302077		Date 2021-04-28		State Final Release		
	Department EL PD		Title RJ45 jack 10/100 Mbit CE biCLED		Doc-Key / ECM-Nr. 100688973/UGD/001/C 500000193166		Rev. C		Page 1/1				
HARTING D-32339 Espelkamp		Type TB		Number 09455511160									